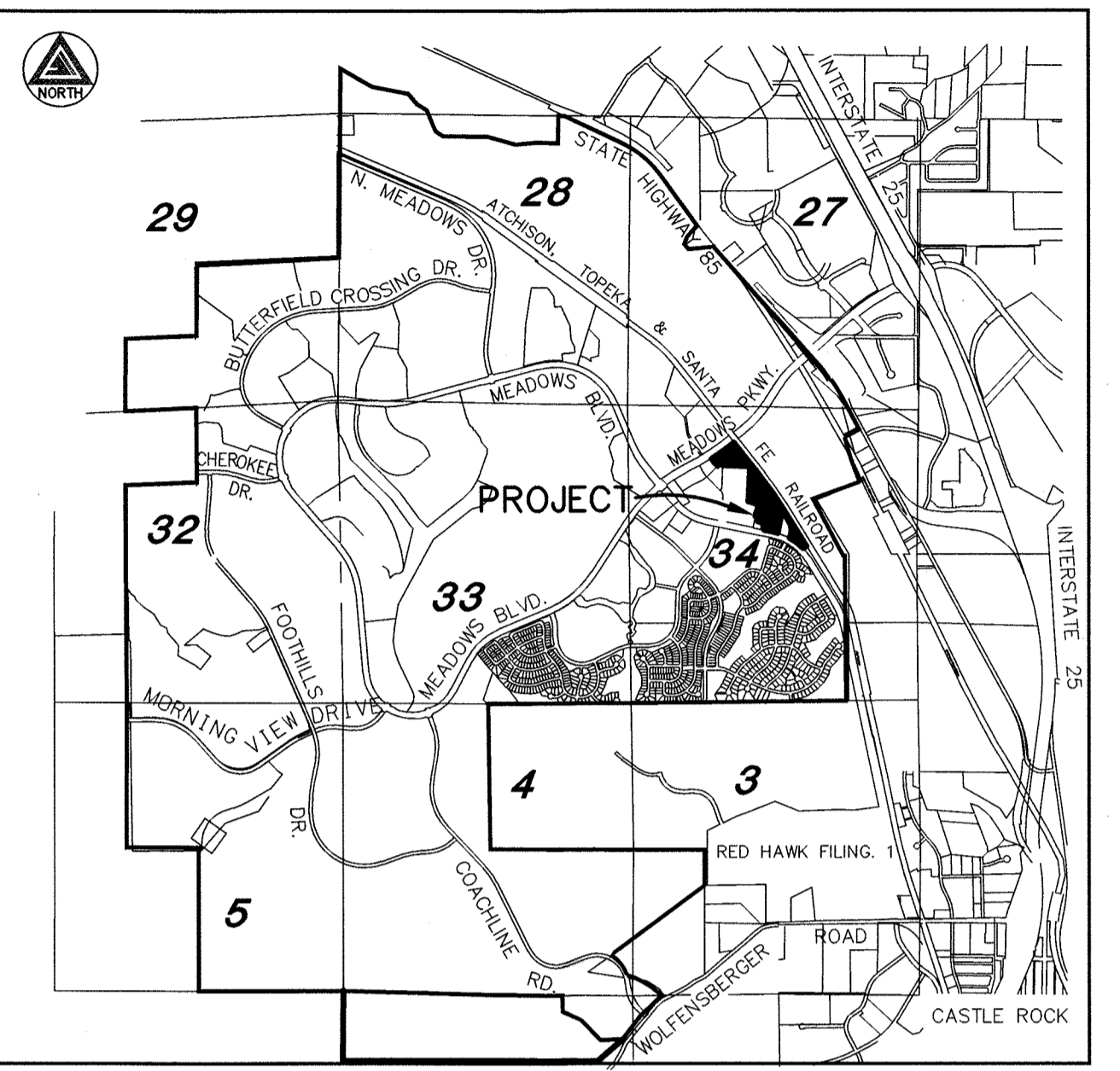


THE MEADOWS FILING NO. 17, AREA NO. 4, AMENDMENT NO. 14 PLAT

A REPLAT OF LOT 6-A-1, THE MEADOWS FILING NO. 17, AREA NO. 4, AMENDMENT NO. 12
LOCATED WITHIN SECTION 34, TOWNSHIP 7 SOUTH, RANGE 67 WEST OF THE SIXTH PRINCIPAL MERIDIAN,
TOWN OF CASTLE ROCK, COUNTY OF DOUGLAS, STATE OF COLORADO

Sheet 1 of 4



VICINITY MAP
Scale: 1" = 3000'
1 inch = 3000 ft.

PURPOSE:
THE PURPOSE OF THIS PLAT IS TO TURN 1 LOT INTO 4 LOTS.

PROPERTY DESCRIPTION
LOT 6-A-1, OF THE MEADOWS FILING NO. 17, AREA NO. 4, AMENDMENT NO. 12 PLAT AS RECORDED AT RECEPTION NO. 2021087586 AND LOCATED IN THE TOWN OF CASTLE ROCK, COUNTY OF DOUGLAS, STATE OF COLORADO.

CONTAINING 15.672 ACRES (682,683 SQ. FT.), MORE OR LESS.

CERTIFICATE OF DEDICATION AND OWNERSHIP

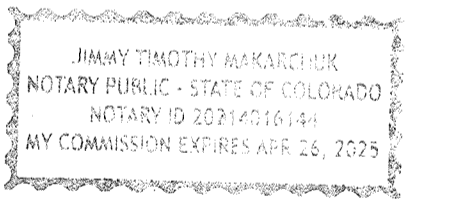
THE UNDERSIGNED, BEING ALL THE OWNERS, MORTGAGEES AND LIENHOLDERS OF CERTAIN LANDS IN THE TOWN OF CASTLE ROCK, DOUGLAS COUNTY, COLORADO DESCRIBED HEREIN, HAVE LAID OUT, PLATTED AND SUBDIVIDED THE SAME INTO ONE LOT AS SHOWN ON THIS PLAT UNDER THE NAME OF THE MEADOWS FILING NO. 17, AREA NO. 4, AMENDMENT NO. 14 PLAT.

THE UNDERSIGNED HEREBY FURTHER DEDICATE TO THE PUBLIC UTILITIES AND CABLEVISION THE RIGHT TO INSTALL, MAINTAIN AND OPERATE MAINS, TRANSMISSION LINES, SERVICE LINES, CABLE TELEVISION LINES AND APPURTENANCES TO PROVIDE SUCH UTILITY, COMMUNICATION AND CABLE TELEVISION SERVICES WITHIN THIS SUBDIVISION, OR PROPERTY CONTIGUOUS THERETO, UNDER, ALONG AND ACROSS PUBLIC ROADS AS SHOWN ON THIS PLAT AND ALSO UNDER, ALONG AND ACROSS SEWER AND STORM DRAINAGE EASEMENTS AS DESCRIBED AND SHOWN HEREON.

OWNER:
CASTLE ROCK DEVELOPMENT COMPANY, A COLORADO CORPORATION

BY: Robert C. Hanisch Jr. AS: VICE PRESIDENT OF LAND DEVELOPMENT

NOTARY CERTIFICATE
STATE OF COLORADO }
COUNTY OF Denver }
SIGNED BEFORE ME THIS 29th DAY OF September, 2022
BY A.C. Han Robert C. Hanisch Jr.
AS Vice President Land Development OF CASTLE ROCK DEVELOPMENT COMPANY, A COLORADO CORPORATION.



MY COMMISSION EXPIRES April 26, 2025
NOTARY PUBLIC Jimmy Ma Karshuk

GENERAL NOTES:

- LAND TITLE GUARANTEE COMPANY COMMITMENT NO. ABC70712894-3 WITH AN EFFECTIVE DATE OF 03/11/2022 AT 5:00 P.M. WAS RELIED UPON FOR RECORD INFORMATION REGARDING RIGHTS-OF-WAY, EASEMENTS AND ENCUMBRANCES. THIS SURVEY DOES NOT REPRESENT A TITLE SEARCH BY AZTEC CONSULTANTS, INC. TO DETERMINE OWNERSHIP, RIGHTS-OF-WAY, EASEMENTS OR OTHER MATTERS OF PUBLIC RECORD.
- ANY PERSON WHO KNOWINGLY REMOVES, ALTERS OR DEFACES ANY PUBLIC LAND SURVEY MONUMENT, OR LAND BOUNDARY MONUMENT OR ACCESSORY COMMITS A CLASS 2 MISDEMEANOR PURSUANT TO STATE STATUTE 18-4-508 C.R.S.
- THE BEARINGS AS SHOWN HEREON ARE BASED UPON THE CONSIDERATION THAT THE NORTH LINE OF THE NORTHWEST QUARTER OF SECTION 34 BEARS NORTH 89°27'31" WEST AND IS MONUMENTED AS SHOWN HEREON.
- THERE ARE 4 LOTS IN THIS PLAT AMENDMENT.
- DISTANCES ON THIS PLAT ARE GROUND DISTANCES EXPRESSED IN U.S. SURVEY FEET AND DECIMALS THEREOF. A U.S. SURVEY FOOT IS DEFINED AS EXACTLY 1200/3937 METERS.
- NO SOLID OBJECT EXCEEDING 30" IN HEIGHT ABOVE THE FLOWLINE ELEVATION OF THE ADJACENT STREET, INCLUDING BUT NOT LIMITED TO, BUILDINGS, UTILITY CABINETS, WALLS, FENCES, TREES, LANDSCAPE PLANTINGS, CUT SLOPES, AND BERMS SHALL BE PLACED IN A SIGHT DISTANCE EASEMENT.
- DRAINAGE EASEMENTS: THE PROPERTY OWNER SHALL BE RESPONSIBLE FOR THE MAINTENANCE OF ALL DRAINAGE FACILITIES INCLUDING, BUT NOT LIMITED TO INLETS, PIPES, CULVERTS, CHANNELS, DITCHES, HYDRAULIC STRUCTURES, AND DETENTION BASINS LOCATED ON THEIR PROPERTY UNLESS MODIFIED BY THE SUBDIVISION IMPROVEMENT AGREEMENT. SHOULD THE OWNER FAIL TO ADEQUATELY MAINTAIN SAID FACILITIES, THE TOWN SHALL HAVE THE RIGHT TO ENTER SAID PROPERTY FOR THE PURPOSES OF OPERATIONS AND MAINTENANCE. ALL SUCH MAINTENANCE COSTS SHALL BE ASSESSED TO THE PROPERTY OWNER. THE MAINTENANCE COSTS SHALL INCLUDE ALL COSTS FOR LABOR, EQUIPMENT AND MATERIALS, AND SHALL BE CHARGED AT 1.25 TIMES THE ACTUAL COST.
- THE SUBJECT PROPERTY SHOWN HEREON LIES WITHIN FLOOD ZONE X, PER FEDERAL EMERGENCY MANAGEMENT AGENCY PRELIMINARY FLOOD INSURANCE RATE MAP NO. 08035C0169G, MAP REVISED DATE MARCH 16, 2016.

SHEET INDEX:
SHEET 1 - COVER SHEET
SHEET 2 - OVERALL PLAT MAP
SHEETS 3,4 - EASEMENT INFORMATION

OWNERS/DEVELOPERS
CASTLE ROCK DEVELOPMENT COMPANY, A COLORADO CORPORATION
3033 East 1st Avenue, Suite 410
Denver, Colorado 80206
303-394-5500

SURVEYOR:
AZTEC CONSULTANTS, INC.
300 East Mineral Avenue, Suite 1
Littleton, Colorado 80122
303-713-1898

TITLE CERTIFICATE
I, Scott Bennett AN AUTHORIZED REPRESENTATIVE OF LAND TITLE GUARANTEE COMPANY, A TITLE INSURANCE COMPANY LICENSED TO DO BUSINESS IN THE STATE OF COLORADO, HAVE MADE AN EXAMINATION OF THE PUBLIC RECORDS AND STATE THAT ALL OWNERS, MORTGAGEES AND LIENHOLDERS OF THE PROPERTY ARE LISTED IN THE CERTIFICATION OF OWNERSHIP AND DEDICATION.

SIGNED THIS 29th DAY OF September, 2022.
Scott Bennett
AUTHORIZED REPRESENTATIVE
Scott Bennett
LAND TITLE GUARANTEE COMPANY

NOTARY CERTIFICATE
STATE OF COLORADO }
COUNTY OF Arapahoe }
GABRIEL MANNING
NOTARY PUBLIC
STATE OF COLORADO
NOTARY ID: 2022011254
MY COMMISSION EXPIRES 04/04/2025

SUBSCRIBED AND SWORN BEFORE ME THIS 29th DAY OF September, 2022
BY Scott Bennett AS title officer OF LAND TITLE GUARANTEE COMPANY.
WITNESS MY HAND AND OFFICIAL SEAL.
MY COMMISSION EXPIRES 4/4/2025
NOTARY PUBLIC Gabriel Manning

THE MEADOWS FILING NO. 17, AREA NO. 4, AMENDMENT NO. 14 PLAT LAND AREA SUMMARY TABLE

DESIGNATION	ACREAGE
SUBDIVISION LOT 6-A-1A	1.005
SUBDIVISION LOT 6-A-1B	1.275
SUBDIVISION LOT 6-A-1C	1.973
SUBDIVISION LOT 6-A-1D	11.419
MEADOWS FILING 17, AREA NO. 4 AMENDMENT NO. 14	15.672

MEADOWS FILING NO. 17, AREA NO. 4, AMENDMENT NO. 14 PLAT LAND USE SUMMARY TABLE

LOTS/TRACTS	SQ.FT.	OWNERSHIP	SURFACE MAINTENANCE EXCLUDING TOWN OF CASTLE ROCK UTILITIES	USAGE
LOT 6-A-1A	43,779	CASTLE ROCK DEVELOPMENT CO.	CASTLE ROCK DEVELOPMENT CO.	COMMERCIAL DEVELOPMENT
LOT 6-A-1B	55,526	CASTLE ROCK DEVELOPMENT CO.	CASTLE ROCK DEVELOPMENT CO.	COMMERCIAL DEVELOPMENT
LOT 6-A-1C	85,951	CASTLE ROCK DEVELOPMENT CO.	CASTLE ROCK DEVELOPMENT CO.	COMMERCIAL DEVELOPMENT
LOT 6-A-1D	497,427	CASTLE ROCK DEVELOPMENT CO.	CASTLE ROCK DEVELOPMENT CO.	COMMERCIAL DEVELOPMENT

GENERAL NOTES: (CONTINUED)

- LANDSCAPING WITHIN THE PUBLIC RIGHTS-OF-WAY IS TO BE MAINTAINED BY THE ADJACENT PRIVATE PROPERTY OWNER OR THE HOMEOWNERS ASSOCIATION, IF APPLICABLE. LANDSCAPING SHALL BE CONTINUOUSLY MAINTAINED INCLUDING NECESSARY WATERING, WEEDING, PRUNING, MOWING, PEST CONTROL AND REPLACEMENT OF DEAD OR DISEASED PLANT MATERIAL. REPLACEMENT FOR DEAD OR DISEASED PLANT MATERIAL SHALL BE THE SAME TYPE OF PLANT MATERIAL AS SET FORTH IN THE APPROVED SITE PLAN; FOR EXAMPLE, A TREE MUST REPLACE A TREE, A SHRUB MUST REPLACE A SHRUB. GROUND COVER MUST REPLACE GROUND COVER, ETC. UPON WRITTEN NOTICE BY THE TOWN, THE OWNER WILL HAVE SIX (6) MONTHS TO CURE OR REPLACE DAMAGED OR DEAD LANDSCAPE MATERIAL. IN THE CASE OF DISEASED LANDSCAPE MATERIAL, A SHORTER COMPLIANCE PERIOD MAY BE SPECIFIED IN SAID NOTICE. THE TOWN OF CASTLE ROCK WATER CONSERVATION ORDINANCE REGULATES TIMES OF SEASONAL IRRIGATION AND PROHIBITS THE WASTING OF POTABLE WATER THROUGH IRRIGATION.
- THE EASEMENT PREMISES AS DESCRIBED WITHIN THE EASEMENT DEED BY COURT ORDER IN SETTLEMENT OF LANDOWNER ACTION RECORDED UNDER RECEPTION NO. 2013020344 AND RECORDED UNDER RECEPTION NO. 2013046523 FALLS WITHIN LOT 6 REMAINDER OF THE MEADOWS FILING NO. 17, AREA 4, AMENDMENT NO. 9 RECORDED UNDER RECEPTION NO. 2015067501. HOWEVER, THE EXACT LOCATION OF SAID EASEMENT PREMISES COULD NOT BE DETERMINED AND THEREFORE IS NOT SHOWN HEREON.
- THE TOWN OF CASTLE ROCK IS NOT RESPONSIBLE FOR THE MAINTENANCE OF PRIVATE STREETS WITHIN THE BOUNDARIES OF THIS PLAT.
- UNLESS OTHERWISE NOTED, ALL LOTS SHALL HAVE A TEN-FOOT UTILITY EASEMENT ALONG THE FRONT AND REAR LOT LINES AND ALONG ALL PUBLIC RIGHTS-OF-WAY AND SHALL HAVE FIVE-FOOT UTILITY EASEMENTS ALONG EACH SIDE LOT LINE. THESE UTILITY EASEMENTS ARE FOR THE INSTALLATION, MAINTENANCE AND OPERATION OF UTILITIES AND DRAINAGE FACILITIES INCLUDING, BUT NOT LIMITED TO, WATER METERS, FIRE HYDRANTS, CURB BOXES, ELECTRIC LINES, GAS LINES, CABLE TELEVISION LINES, FIBER OPTIC LINES, AND TELEPHONE LINES, AS WELL AS PERPETUAL RIGHT FOR INGRESS AND EGRESS FOR INSTALLATION, MAINTENANCE AND REPLACEMENT OF SUCH LINES. DRY UTILITY CROSSINGS MAY BE PERMITTED IN OTHER UTILITY OR DRAINAGE EASEMENTS PROVIDED THAT ANY NECESSARY CROSSING OF THE TOWN'S UTILITY IS AT A NINETY-DEGREE ANGLE. IN ALL CASES, PRIOR APPROVAL FROM CASTLE ROCK WATER SHALL BE OBTAINED FOR DRY UTILITY CROSSINGS OF EXCLUSIVE WET UTILITY EASEMENTS AND EXCLUSIVE DRAINAGE EASEMENTS
- PURSUANT TO SECTION 14.02.040 OF THE TOWN OF CASTLE ROCK MUNICIPAL CODE, THE TOWN OF CASTLE ROCK HEREBY ABANDONS THAT PORTION OF THE 15-FOOT UTILITY EASEMENT RECORDED AT RECEPTION NO. 2019086982 OF THE RECORDS OF THE DOUGLAS COUNTY CLERK AND RECORDER'S OFFICE, AS DEPICTED HEREON.

SURVEYORS CERTIFICATE

I, ANTHONY K. PEALL, A DULY LICENSED PROFESSIONAL LAND SURVEYOR IN THE STATE OF COLORADO, DO HEREBY CERTIFY THAT THIS AMENDED PLAT TRULY AND CORRECTLY REPRESENTS THE RESULTS OF A SURVEY MADE ON JULY 2, 2015 BY ME OR UNDER MY DIRECT SUPERVISION AND THAT ALL MONUMENTS EXIST AS SHOWN HEREON; THAT MATHEMATICAL CLOSURE ERRORS ARE LESS THAN 1:50,000 (SECOND ORDER); AND THAT SAID AMENDED PLAT HAS BEEN PREPARED IN FULL COMPLIANCE WITH ALL APPLICABLE LAWS OF THE STATE OF COLORADO DEALING WITH MONUMENTS, SUBDIVISIONS, OR SURVEYING OF LAND AND ALL PROVISIONS, WITHIN MY CONTROL, OF THE TOWN OF CASTLE ROCK SUBDIVISION REGULATIONS.



ANTHONY K. PEALL, LICENSED PROFESSIONAL LAND SURVEYOR
COLORADO P.L.S. No. 38636
FOR AND BEHALF OF AZTEC CONSULTANTS, INC.

NOTICE: ACCORDING TO COLORADO LAW, YOU MUST COMMENCE ANY LEGAL ACTION BASED UPON ANY DEFECT IN THIS SURVEY WITHIN THREE YEARS AFTER YOU FIRST DISCOVER SUCH DEFECT IN NO EVENT, MAY ANY ACTION BASED UPON ANY DEFECT IN THIS SURVEY BE COMMENCED MORE THAN TEN YEARS FROM THE DATE OF THE CERTIFICATION SHOWN HEREON.

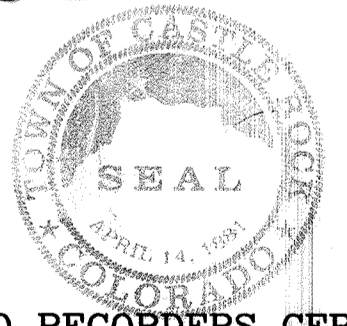
STATEMENT OF DIRECTOR OF DEVELOPMENT SERVICES APPROVAL

THIS AMENDED PLAT WAS APPROVED BY THE DIRECTOR OF DEVELOPMENT SERVICES OF THE TOWN OF CASTLE ROCK, COLORADO, THIS 5 DAY OF October, 2022.
Michelle
DIRECTOR OF DEVELOPMENT SERVICES

STATEMENT OF TOWN APPROVAL AND ACCEPTANCE

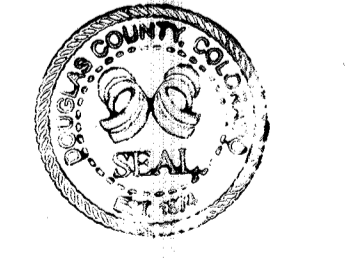
ON BEHALF OF THE TOWN COUNCIL OF THE TOWN OF CASTLE ROCK, COLORADO, I HEREBY CERTIFY THAT THIS AMENDED PLAT WAS APPROVED IN ACCORDANCE WITH ALL APPLICABLE REGULATIONS AND THAT THE DEDICATIONS ON THIS PLAT ARE HEREBY ACCEPTED BY THE TOWN.

ATTEST:
Brian Anderson TOWN CLERK
October 5, 2022 DATE
John P. Corbin TOWN MANAGER
John S. D. 2022 DATE



DOUGLAS COUNTY CLERK AND RECORDERS CERTIFICATE

THIS AMENDED PLAT WAS FILED FOR RECORD IN THE OFFICE OF THE COUNTY CLERK AND RECORDER OF DOUGLAS COUNTY AT 11:00 AM ON THE 6th DAY OF October, 2022
AT RECEPTION NO. 2022065772
DOUGLAS COUNTY CLERK AND RECORDER
BY: Doug McEhan DEPUTY

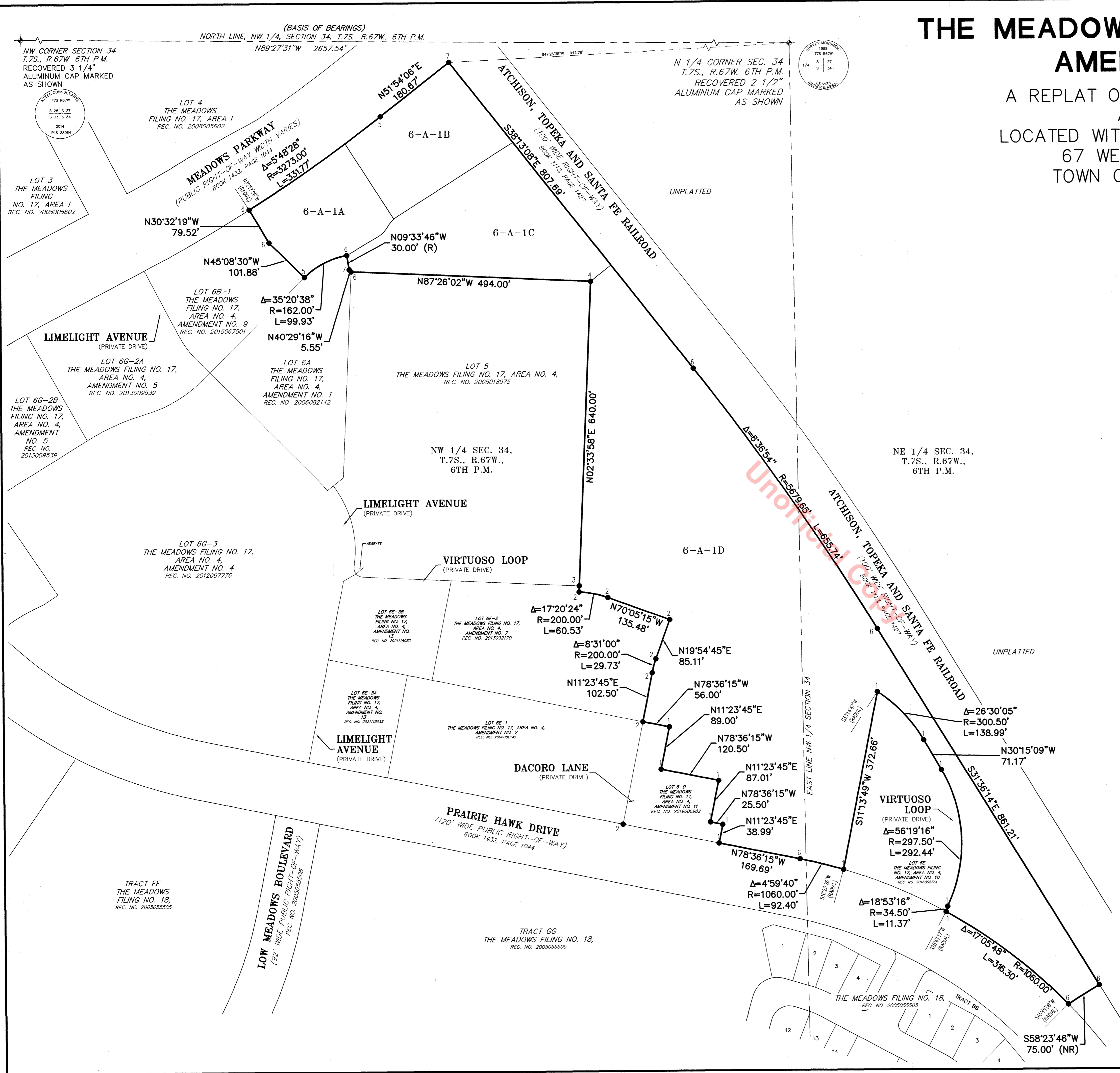


	300 East Mineral Ave., Suite 1 Littleton, Colorado 80122 Phone: (303) 713-1898 Fax: (303) 713-1897 www.aztecconsultants.com	DEVELOPER CASTLE ROCK DEVELOPMENT COMPANY A COLORADO CORPORATION 3033 EAST 1ST AVENUE, SUITE 410 DENVER, COLORADO 80206 (303) 394-5500	DATE OF PREPARATION: 08/02/2021 SCALE: N/A SHEET 1 OF 4
	COVER SHEET PROJECT NO.: PL22-0007 THE MEADOWS FILING 17, AREA NO. 4, AMENDMENT NO. 14 PLAT SHEET 1 OF 4		
	THE MEADOWS FILING 17, AREA NO. 4, AMENDMENT NO. 14 PLAT SHEET 1 OF 4		

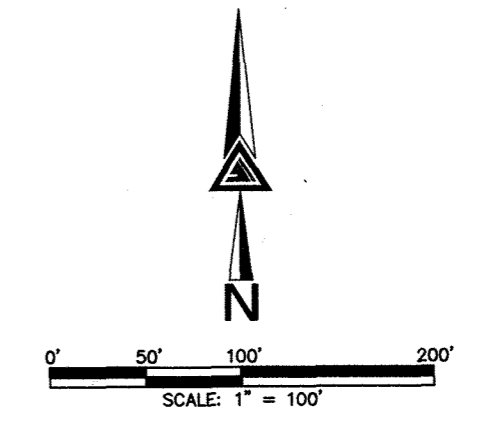
THE MEADOWS FILING NO. 17, AREA NO. 4, AMENDMENT NO. 14 PLAT

A REPLAT OF LOT 6-A-1, THE MEADOWS FILING NO. 17, AREA NO. 4, AMENDMENT NO. 12 LOCATED WITHIN SECTION 34, TOWNSHIP 7 SOUTH, RANGE 67 WEST OF THE SIXTH PRINCIPAL MERIDIAN, TOWN OF CASTLE ROCK, COUNTY OF DOUGLAS, STATE OF COLORADO

Sheet 2 of 4



LEGEND	
1 ●	RECOVERED NO. 5 REBAR WITH 1-1/4" PINK PLASTIC CAP STAMPED "AZTEC PLS 38636"
2 ●	RECOVERED 1" BRASS TAG STAMPED "AZTEC LS 38064"
3 ●	RECOVERED 1-1/2" ALUMINUM WASHER STAMPED "CLSI 32439"
4 ●	RECOVERED NO. 5 REBAR WITH 1-1/4" ORANGE PLASTIC CAP STAMPED "CLSI 32439"
5 ●	RECOVERED 1" BRASS TAG ILLEGIBLE
6 ●	RECOVERED NO. 5 REBAR WITH 1-1/4" ORANGE PLASTIC CAP STAMPED "AZTEC PLS 38064"
7 ●	RECOVERED NO. 5 REBAR WITH 1-1/4" YELLOW PLASTIC CAP STAMPED "CVL 35593"
(R)	RADIAL BEARING
(NR)	NON-RADIAL BEARING



FOR AND ON BEHALF OF AZTEC CONSULTANTS, INC

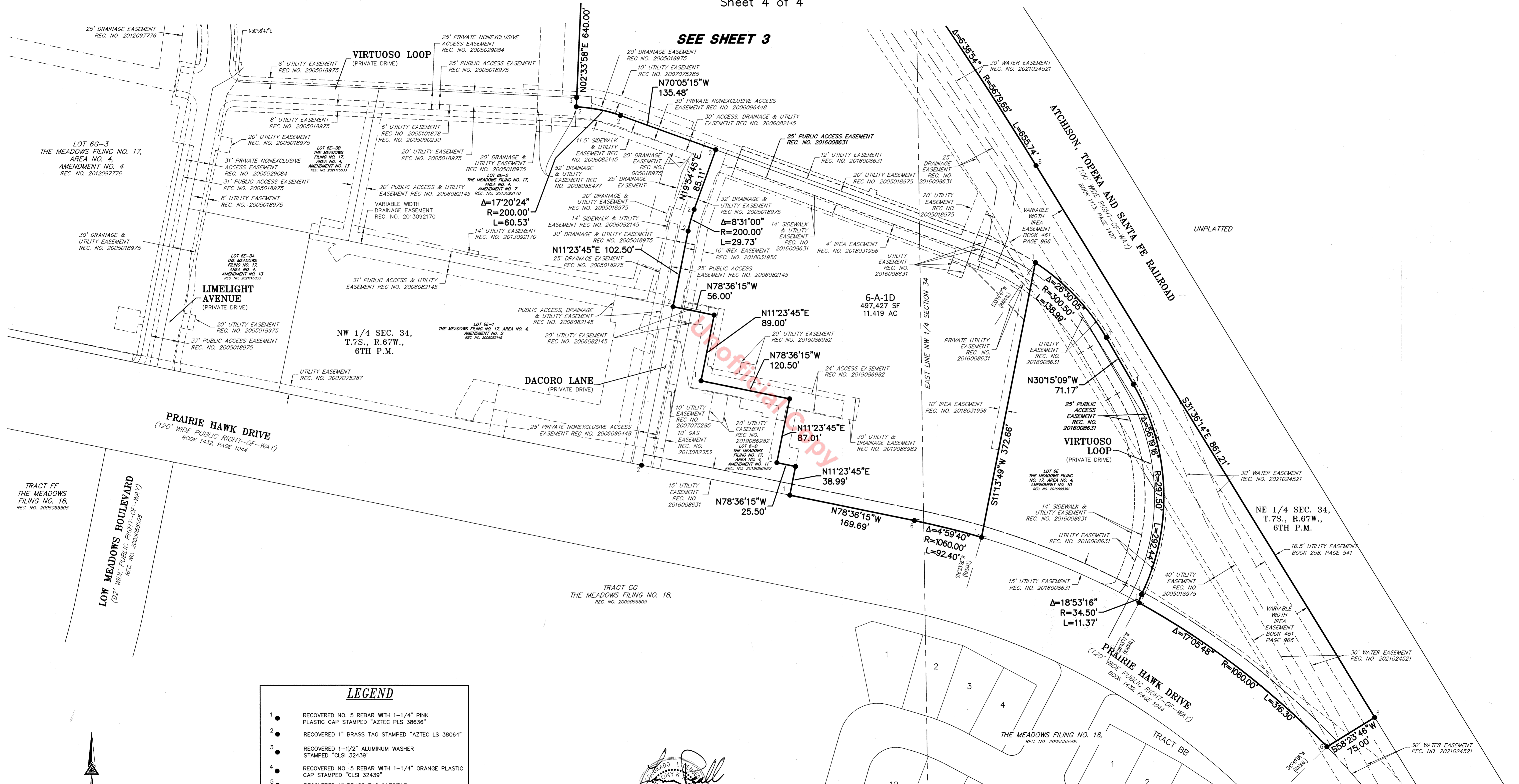
PLAT MAP PROJECT NO.: PL22-0007 THE MEADOWS FILING 17, AREA NO. 4, AMENDMENT NO. 14 PLAT SHEET 2 OF 4

	300 East Mineral Ave., Suite 1 Littleton, Colorado 80122 Phone: (303) 715-1898 Fax: (303) 715-1897 www.aztecconsultants.com	DEVELOPER CASTLE ROCK DEVELOPMENT COMPANY A COLORADO CORPORATION 3033 EAST 1ST AVENUE, SUITE 410 DENVER, COLORADO 80206 (303) 394-5500	DATE OF PREPARATION: 08/02/2021 SCALE: 1"=100' SHEET 2 OF 4
	Aztec Proj. No.: 17021-10 Drawn By:		

THE MEADOWS FILING NO. 17, AREA NO. 4, AMENDMENT NO. 14 PLAT

A REPLAT OF LOT 6-A-1, THE MEADOWS FILING NO. 17, AREA NO. 4, AMENDMENT NO. 12
LOCATED WITHIN SECTION 34, TOWNSHIP 7 SOUTH, RANGE 67 WEST OF THE SIXTH PRINCIPAL MERIDIAN,
TOWN OF CASTLE ROCK, COUNTY OF DOUGLAS, STATE OF COLORADO

Sheet 4 of 4

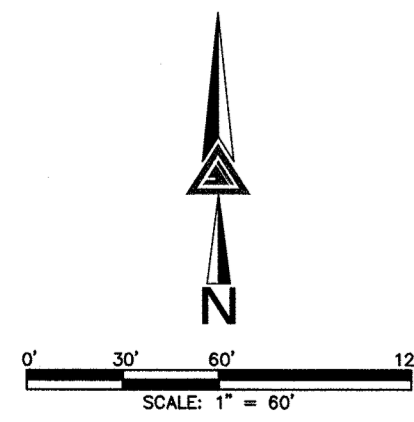


LEGEND

- 1 ● RECOVERED NO. 5 REBAR WITH 1-1/4" PINK PLASTIC CAP STAMPED "AZTEC PLS 38636"
- 2 ● RECOVERED 1" BRASS TAG STAMPED "AZTEC LS 38064"
- 3 ● RECOVERED 1-1/2" ALUMINUM WASHER STAMPED "CLSI 32439"
- 4 ● RECOVERED NO. 5 REBAR WITH 1-1/4" ORANGE PLASTIC CAP STAMPED "CLSI 32439"
- 5 ● RECOVERED 1" BRASS TAG ILLEGIBLE
- 6 ● RECOVERED NO. 5 REBAR WITH 1-1/4" ORANGE PLASTIC CAP STAMPED "AZTEC PLS 38064"
- 7 ● RECOVERED NO. 5 REBAR WITH 1-1/4" YELLOW PLASTIC CAP STAMPED "CVL 35593"
- (R) RADIAL BEARING
- (NR) NON-RADIAL BEARING



FOR AND ON BEHALF OF
AZTEC CONSULTANTS, INC



<p>AzTec Proj. No: 17021-10</p>	<p>300 East Mineral Ave., Suite 1 Littleton, Colorado 80122 Phone: (303) 713-1898 Fax: (303) 713-1897 www.aztecconsultants.com</p>	<p>DEVELOPER CASTLE ROCK DEVELOPMENT COMPANY A COLORADO CORPORATION 3033 EAST 1ST AVENUE, SUITE 410 DENVER, COLORADO 80206 (303) 394-5500</p>		<p>DATE OF PREPARATION: 08/02/2021</p>
		<p>PROJECT NO.: PL22-0007 THE MEADOWS FILING 17, AREA NO. 4, AMENDMENT NO. 14 PLAT SHEET 4 OF 4</p>		<p>SCALE: T=60'</p>
<p>Drawn By:</p>		<p>SHEET 4 OF 4</p>		